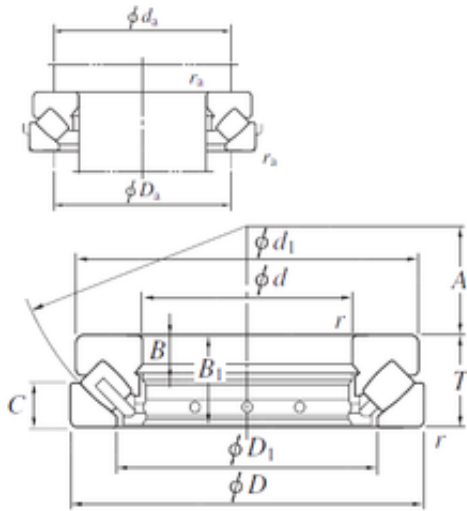




NTN BEARING CORP.



293/800 Bearing 2D drawings and 3D CAD models

800 mm x 1180 mm x 78 mm KOYO 293/800 thrust roller bearings

Bearing No. 293/800

Size	800x1180x230 mm
Bore Diameter	800 mm
Outer Diameter	1180 mm
Width	230 mm
d	800 mm
D	1180 mm
T	230 mm
d1	1146 mm
r min.	95 mm
A	440 mm
B	78 mm
B1	222 mm
C	112 mm
D1	965 mm
da min.	975 mm
Da max.	1055 mm
ra max.	8 mm
Weight	850 Kg
Basic dynamic load rating (C)	9170 kN