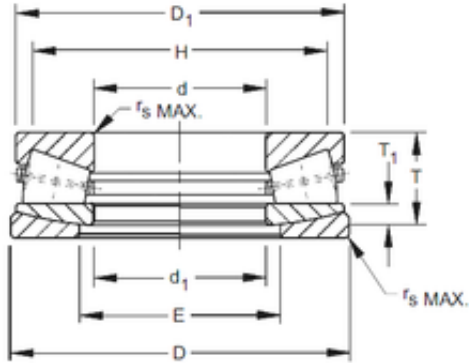




NTN BEARING CORP.

Timken N-2827-G thrust roller bearings



Bearing No. N-2827-G

Size	355.6x660.4x254 mm
Bore Diameter	355,6 mm
Outer Diameter	660,4 mm
Width	254 mm
d	355,6 mm
D	660,4 mm
T	254 mm
r max	10,2 mm
T1	76,2 mm
d1	358,78 mm
D1	657,22 mm
E	412,8 mm
H	577,8 mm

N-2827-G Bearing 2D drawings and 3D CAD models