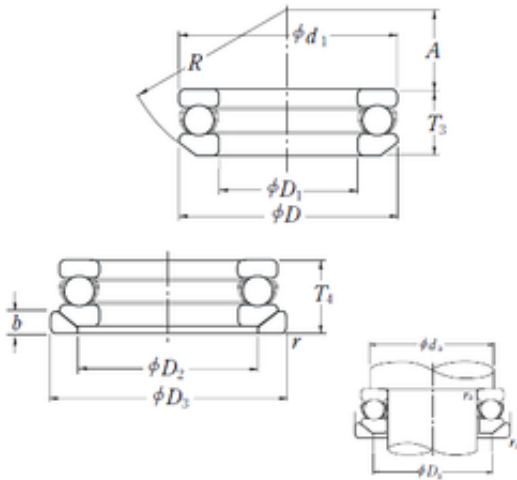




# NTN BEARING CORP.

## NSK 53252XU thrust ball bearings

Bearing No. 53252XU



53252XU Bearing 2D drawings and 3D CAD models

Size	260x360x93 mm
Bore Diameter	260 mm
Outer Diameter	360 mm
Width	93 mm
d	260 mm
D	360 mm
T	93 mm
b	30 mm
d1	355 mm
r min.	2,1 mm
A	152 mm
D1	264 mm
D2	305 mm
D3	370 mm
R	280 mm
da min.	319 mm
Da max.	301 mm
ra max.	2 mm
Weight	33,2 Kg
Basic dynamic load rating (C)	435 kN
Basic static load rating (C0)	1800 kN
(Grease) Lubrication Speed	560 r/min
SRI	18.85
hidYobi	53252XU
LangID	1
D_	360



## NTN BEARING CORP.

SREX	0.125
C	435
B_	93
hidTable	ecat_NSSDTB
Oil rpm	850
SRE	18.85
mass	33.2
GRS rpm	560
ra	2
SRIX	0.125
T4	93
D_3	370
D_a	301
SRIN	0
C0	1800
D_2	305
SREN	0
D_1	264
Prod_Type3	TB_SD_WASW
da	319
DA_	34.925
Z_	24
yobi	53252XU
A_	152
T3	82.8
SDM_	310
r	2.1
KBRG	513
R_	280