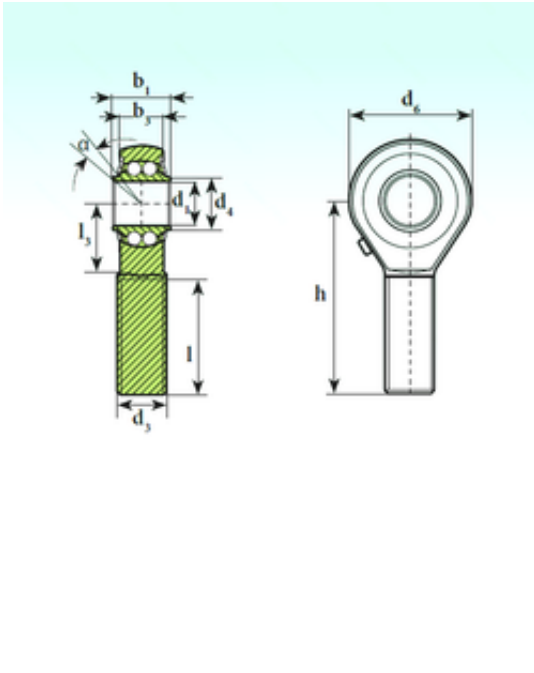




# NTN BEARING CORP.



TSM 12 BB Bearing 2D drawings and 3D CAD models

## ISB TSM 12 BB self aligning ball bearings

Bearing No. TSM 12 BB

Bore Diameter	12 mm
d1	12 mm
d7	22 mm
l	22 mm
b1	16 mm
d2	17,5 mm
d4	14,5 mm
d6	32 mm
h	50 mm
l1 min.	6,5 mm
l3 min.	16 mm
SW	19 mm
B3	12 mm
Thread (G)	M12
Angle	7,5 °
Weight	0,107 Kg
Basic dynamic load rating (C)	5 kN
Basic static load rating (C0)	1,85 kN
Limiting speed	1150 r/min
Calculation factor (Y)	1,74