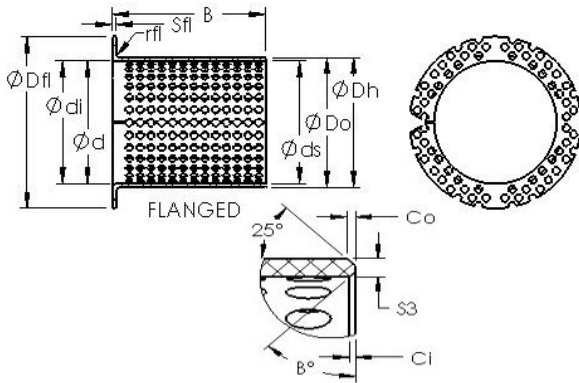




# NTN BEARING CORP.



## AST ASTT90 F5530 plain bearings

Bearing No. ASTT90 F5530

|   |  |
|---|--|
| Bore Diameter                                     | 55 mm                                  |
| Outer Diameter                                    | 60 mm                                  |
| Bearing Type                                      | flanged                                |
| Shaft Dia., Nominal (d)                           | 55.0000                                |
| Shaft Size (ds) - 55 -0.100 / -0.130              | 55 0.100 / 0.130                       |
| Housing Bore Dia. (Dh) - 60 +0.030 / -0           | 60 +0.030 / 0                          |
| Bearing Outside Diameter, Nominal(Do)             | 60.000                                 |
| Bearing Bore after Mounting (di) - 55 +0.074 / -0 | 55 +0.074 / 0                          |
| Wall Thickness (S3)                               | 2.500                                  |
| Bearing Length, Nominal (B)                       | 30.000                                 |
| Bearing Length Tolerance (B tol.) - +0 / -0.40    | +0 / 0.40                              |
| OD Chamfer Length (Co)                            | 1.800                                  |
| ID Chamfer Angle (B deg.)                         | 45                                     |
| ID Chamfer Length (Ci)                            | 0.600                                  |
| Flange Dia. (Dfl pm 0.5)                          | 70.000                                 |
| Flange Thickness (Sfl)                            | 2.500                                  |
| Flange Radius (rfl)                               | 2.000                                  |
| Material  | Wrapped bronze with lubrication holes. |

ASTT90 F5530 Bearing 2D drawings and 3D CAD models