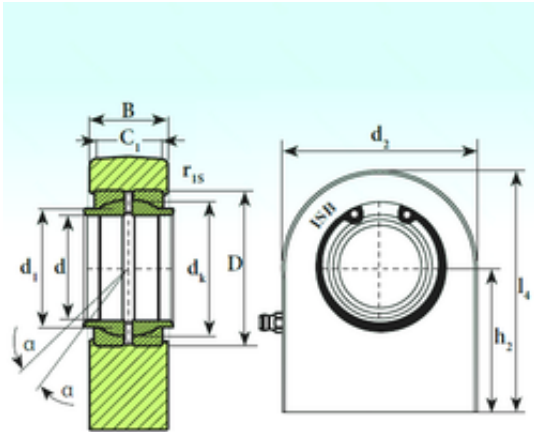




NTN BEARING CORP.



80 mm x 120 mm x 80 mm ISB T.P.N. 780 CE
plain bearings

Bearing No. T.P.N. 780 CE

Bore Diameter	80 mm
Outer Diameter	120 mm
d	80 mm
D	120 mm
d1	91 mm
d2	180 mm
dk	105 mm
h2	141 mm
l4 max.	231 mm
r min.	1 mm
B	80 mm
C1	60 mm
Angle	4 °
Weight	15,75 Kg
Basic dynamic load rating (C)	400 kN

T.P.N. 780 CE Bearing 2D drawings and 3D CAD models