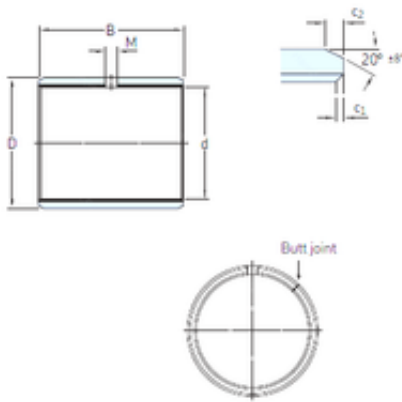




# NTN BEARING CORP.

## 9,525 mm x 11,906 mm x 19,05 mm SKF PCZ 0612 E plain bearings



Bearing No. PCZ 0612 E

Size	9.525x11.906x19.05 mm
Bore Diameter	9,525 mm
Outer Diameter	11,906 mm
Width	19,05 mm
d	9,525 mm
D	11,906 mm
B	19,05 mm
c1 min	0,1 mm
c2 min	0,2 mm
M	– mm
Weight	0,0058 Kg
Basic dynamic load rating (C)	14,6 kN
c <sub>1</sub> min.	0.1 mm
c <sub>1</sub> max.	0.6 mm
c <sub>2</sub> min.	0.2 mm
c <sub>2</sub> max.	1 mm
± 8	20 °
Shaft diameter range min.	9.477 mm
Shaft diameter range max.	9.5 mm
Housing bore range min.	11.897 mm
Housing bore range max.	11.915 mm
Basic dynamic load rating - radial direction C	14.6 kN
Basic static load rating - radial direction C <sub>0</sub>	45.5 kN

PCZ 0612 E Bearing 2D drawings and 3D CAD models



## NTN BEARING CORP.

Specific dynamic load factor K	80 N/mm <sup>2</sup>
Specific static load factor K <sub>0</sub>	250 N/mm <sup>2</sup>
Factor depending on material and bearing type K <sub>M</sub>	480
Permissible sliding velocity v min.	0 m/s
Permissible sliding velocity v max.	2 m/s
Coefficient of friction $\mu$ min.	0.03
Coefficient of friction $\mu$ max.	0.25
Mass bushing	0.0058 kg