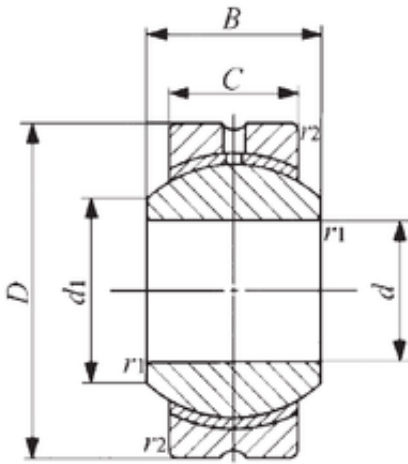




# NTN BEARING CORP.

18 mm x 42 mm x 23 mm IKO PB 18 plain bearings

Bearing No. PB 18



PB 18 Bearing 2D drawings and 3D CAD models

Size	18x42x23 mm
Bore Diameter	18 mm
Outer Diameter	42 mm
Width	23 mm
d	18 mm
D	42 mm
B	23 mm
C	16,5 mm
d1	21,9 mm
dk	31,75 mm
r min.	0,3 mm
Weight	0,16 Kg
Basic dynamic load rating (C)	25,7 kN