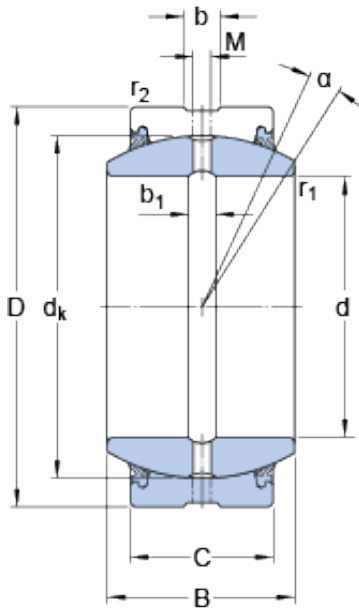




NTN BEARING CORP.

60 mm x 90 mm x 44 mm SKF GE 60 ES-2RS plain bearings

Bearing No. GE 60 ES-2RS



GE 60 ES-2RS Bearing 2D drawings and 3D CAD models

Size	90x60x44 mm
Bore Diameter	90 mm
Outer Diameter	60 mm
Width	44 mm
d	60 mm
D	90 mm
B	44 mm
C	36 mm
	6 °
dk	80 mm
b	6.2 mm
b ₁	6.2 mm
M	4 mm
r ₁ - min.	1 mm
r ₂ - min.	1 mm
d _a - min.	66.4 mm
d _a - max.	66.8 mm
D _a - min.	79.7 mm
D _a - max.	84.2 mm
r _a - max.	1 mm
r _b - max.	1 mm
Basic dynamic load rating - C	245 kN
Basic static load rating - C ₀	1220 kN
Specific factor dynamic load - K	100 N/mm ²



NTN BEARING CORP.

Specific factor static load - K_0	500 N/mm ²
Constant - K_M	330
Category	Spherical Plain Bearings - Radial
Inventory	1.0
Manufacturer Name	SKF
Minimum Buy Quantity	N/A
Weight / Kilogram	1.1
Product Group	B04264
Self Aligning	Yes
Rolling Element	Spherical Plain
Material - Outer Member	Steel
Material - Ball	Steel
Material - Liner	Not Applicable
Relubricatable	Yes
Enclosure	2 Seals
Other Features	2 Piece Double Lip Seals Lubrication Hole and an Annular Groove in Both Rings
Long Description	60MM Bore; 36MM Housing Width; 90MM Outside Diameter; Spherical Plain; Steel Outer Member; Steel Ball; No Liner; 44MM Overall Width; Relubricatable
Inch - Metric	Metric
Category	Plain Bearings Spherical Radial
UNSPSC	31171515
Harmonized Tariff Code	8483.30.80.70
Noun	Bearing
Keyword 3	Spherical



NTN BEARING CORP.

Keyword String	Plain Spherical Radial
Manufacturer URL	http://www.skf.com
Manufacturer Item Number	GE 60 ES-2RS
Weight / LBS	2.425
Outside Diameter	3.543 Inch 90 Millimeter
Housing Width	1.417 Inch 36 Millimeter
Bore	2.362 Inch 60 Millimeter
Overall Width	1.732 Inch 44 Millimeter
bore diameter:	60 mm
inner ring material:	Chrome Steel
outside diameter:	90 mm
outer ring width:	36 mm
misalignment angle:	6 °
radial static load capacity:	1220 kN
inner ring width:	44 mm
radial dynamic load capacity:	245 kN
bearing type:	Radial
operating temperature range:	-30 to +130 ° C ° F
lubrication type:	Requires Lubrication
overall width:	44 mm
closure type:	Sealed
manufacturer upc number:	7316576609435
outer ring material:	Chrome Steel
Lubricant	Regular relubrication – grease
Design (sliding contact surface combination)	Steel/steel
Sealing solution	Double-lip seals
	6 °
d _k	80 mm
b ₁	6.2 mm



NTN BEARING CORP.

r_1 min.	1 mm
r_2 min.	1 mm
d_a min.	66.4 mm
d_a max.	66.8 mm
D_a min.	79.7 mm
D_a max.	84.2 mm
r_a max.	1 mm
r_b max.	1 mm
Basic dynamic load rating C	245 kN
Basic static load rating C_0	1220 kN
Specific dynamic load factor K	100 N/mm ²
Specific static load factor K_0	500 N/mm ²
Material constant K_M	330
Mass plain bearing	1.1 kg