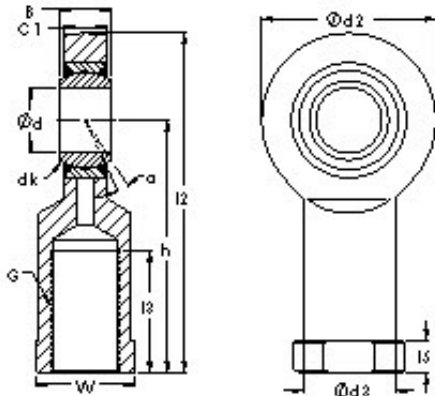




NTN BEARING CORP.



AST SI50ES plain bearings

Bearing No. SI50ES

Bore Diameter	50 mm
Width	35 mm
Bearing Type - steel-on-steel	steelonsteel
Bore Dia (d)	50.0000
Width (B)	35.0000
Radius (min) (rs)	0.600
Dynamic Load Rating (Cr)	156,000
Static Load Rating (Cor)	290,000
Spherical Diameter (dk or Dk)	66.000
Mis-alignment Angle (a deg.)	6
Thread Length (l1)	68.000
Bore Center to End of Rod (h)	160.000
Rod Overall Length (l2)	216.000
Rod End Thickness (C1)	31.000
Bore Center to Body (l7)	57
Thread Size (G)	M45 X 3
Rod End Width (d2)	112.000
Body Dia. (d3)	62.000
Body End Dia. (d4)	75.000
Body End Width (l5)	20.000
Body End Flats (W)	70.000
Weight (g)	3,500.00
Material - Body - Carbon steel-zinc plated, Ball -	Hardened chrome steelchrome plated

SI50ES Bearing 2D drawings and 3D CAD models



NTN BEARING CORP.

Hardened chrome steel- chrome plated	
---	--