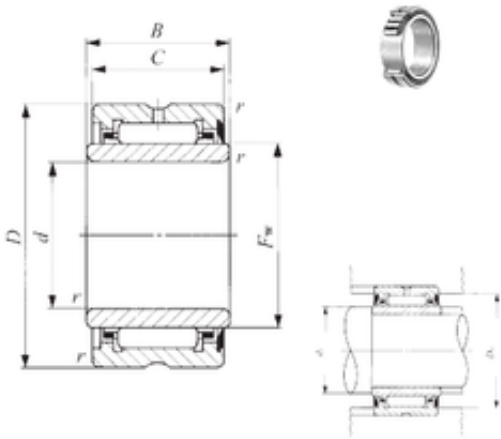




# NTN BEARING CORP.

## 28 mm x 45 mm x 18 mm IKO NA 49/28U needle roller bearings

Bearing No. NA 49/28U



NA 49/28U Bearing 2D drawings and 3D CAD models

Size	28x45x18 mm
Bore Diameter	28 mm
Outer Diameter	45 mm
Width	18 mm
d	28 mm
Fw	32 mm
D	45 mm
B	18 mm
C	17 mm
r min.	0,3 mm
da min.	30 mm
da max	31 mm
Da max.	43 mm
Weight	0,101 Kg
Basic dynamic load rating (C)	21 kN
Basic static load rating (C0)	26,8 kN