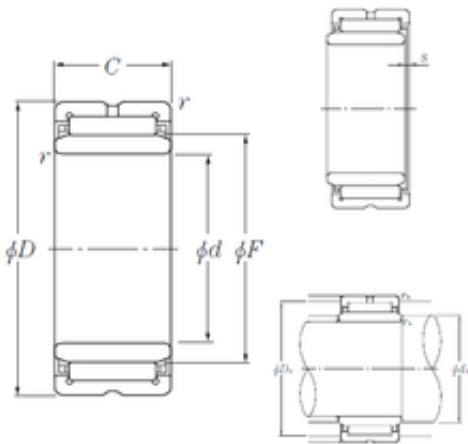




NTN BEARING CORP.

40 mm x 62 mm x 30 mm NTN NA5908 needle roller bearings

Bearing No. NA5908



NA5908 Bearing 2D drawings and 3D CAD models

Size	40x62x30 mm
Bore Diameter	40 mm
Outer Diameter	62 mm
Width	30 mm
d	40 mm
F	48 mm
D	62 mm
B	30 mm
C	30 mm
r min.	0,6 mm
s	1 mm
da min.	44 mm
Da max.	58 mm
ra max.	0,6 mm
Weight	0,348 Kg
Basic dynamic load rating (C)	53 kN
Basic static load rating (C0)	92,5 kN
(Grease) Lubrication Speed	5 500 r/min
rs min	0.6 mm
s max	1 mm
Dw	4.5 mm
Lw	23.8 mm
Lubrication hole on outer ring	Oui/Yes
k	2.5 mm



NTN BEARING CORP.

Lubrication hole on inner ring	Non/No
Radial clearance class	CN
Precision class	P0
Mass	0.35 kg
Cr	53 kN
C0r	92.5 kN
Nlim (grease)	5,500 rpm
Nlim (oil)	8,500 rpm
Min operating temperature, Tmin	-20 ° C
Max operating temperature, Tmax	120 ° C
Characteristic cage frequency, FTF	0.46 Hz
Characteristic rolling element frequency, BSF	11.58 Hz
Characteristic outer ring frequency, BPF0	10.51 Hz
Characteristic inner ring frequency, BPF1	12.49 Hz
da min	44 mm
Da max	58 mm
ras max	0.6 mm
Category	Roller Bearings
Inventory	0.0
Manufacturer Name	NTN
Minimum Buy Quantity	N/A
Weight / Kilogram	0.34
EAN	4547359113716
Product Group	B04144
bore diameter:	1.5748 in
closure type:	Open
outside diameter:	2.4409 in



NTN BEARING CORP.

cage material:	Steel
overall width:	1.1811 in
manufacturer upc number:	4547359113716