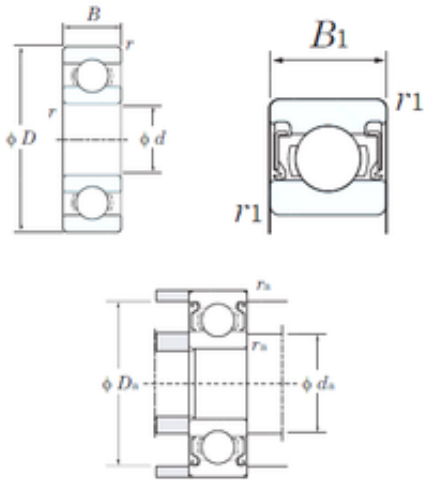




# NTN BEARING CORP.



3 mm x 10 mm x 4 mm KOYO 623-2RS deep groove ball bearings

Bearing No. 623-2RS

Size	3x10x4 mm
Bore Diameter	3 mm
Outer Diameter	10 mm
Width	4 mm
d	3 mm
D	10 mm
B	4 mm
C	4 mm
r min.	0,15 mm
r1 min.	0,15 mm
da min.	4,2 mm
Da max.	8,8 mm
ra max.	0,15 mm
Weight	0,0016 Kg
Basic dynamic load rating (C)	0,64 kN
Basic static load rating (C0)	0,23 kN
(Grease) Lubrication Speed	44000 r/min

623-2RS Bearing 2D drawings and 3D CAD models