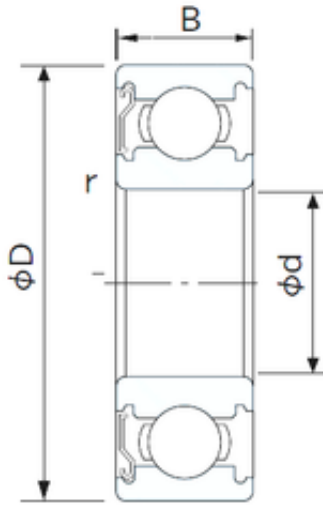




NTN BEARING CORP.



160 mm x 290 mm x 48 mm CYSD 6232-Z deep groove ball bearings

Bearing No. 6232-Z

Size	160x290x48 mm
Bore Diameter	160 mm
Outer Diameter	290 mm
Width	48 mm
d	160 mm
D	290 mm
B	48 mm
C	48 mm
r min.	3 mm
Weight	12,8 Kg
Basic dynamic load rating (C)	185 kN
Basic static load rating (C0)	186 kN
(Grease) Lubrication Speed	1900 r/min

6232-Z Bearing 2D drawings and 3D CAD models