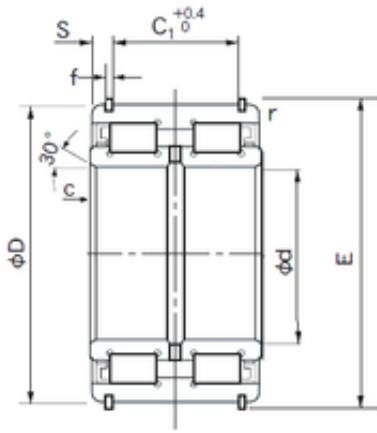




# NTN BEARING CORP.

## 55 mm x 90 mm x 46 mm NACHI E5011NR cylindrical roller bearings

Bearing No. E5011NR



E5011NR Bearing 2D drawings and 3D CAD models

Size	55x90x46 mm
Bore Diameter	55 mm
Outer Diameter	90 mm
Width	46 mm
d	55 mm
D	90 mm
B	46 mm
C	45 mm
c	2 mm
f	2.5 mm
r min.	0.6 mm
C1	34 mm
E	94.8 mm
S	5.5 mm
Weight	1.15 Kg
Basic dynamic load rating (C)	117 kN
Basic static load rating (C0)	193 kN