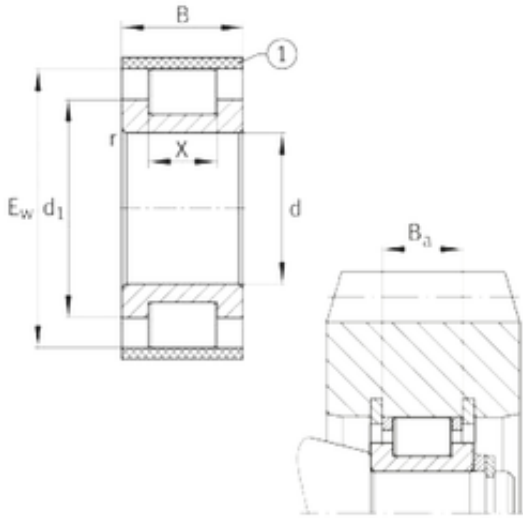




# NTN BEARING CORP.

## INA RSL183011-A cylindrical roller bearings

Bearing No. RSL183011-A



RSL183011-A Bearing 2D drawings and 3D CAD models

Size	55x83.54x26 mm
Bore Diameter	55 mm
Outer Diameter	83,54 mm
Width	26 mm
d	55 mm
Ew	83,54 mm
B	26 mm
Ba	22,6 mm
X	17 mm
d1	68,5 mm
r min.	1,1 mm
Weight	0,45 Kg
Basic dynamic load rating (C)	120 kN
Basic static load rating (C0)	136 kN