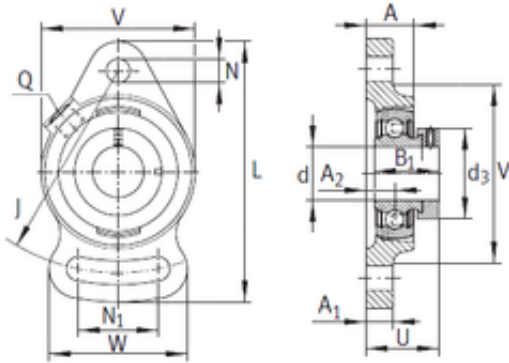




NTN BEARING CORP.

INA PSFT35 bearing units



Bearing No. PSFT35

Bore Diameter	35 mm
d	35 mm
V	90 mm
U	44,5 mm
Thread (Q)	Rp1/8
d3	51 mm
A	25 mm
A1	12,5 mm
B1	39 mm
J	128 mm
L	155 mm
N	14 mm
N1	45 mm
W	75 mm
A2	15 mm
Weight	1,1 Kg
Basic dynamic load rating (C)	25,5 kN
Category	Mounted Units & Inserts
Inventory	0.0
Manufacturer Name	SCHAEFFLER GROUP
Minimum Buy Quantity	N/A
Weight / Kilogram	1.318
EAN	4012802112412
Product Group	M06110

PSFT35 Bearing 2D drawings and 3D CAD models