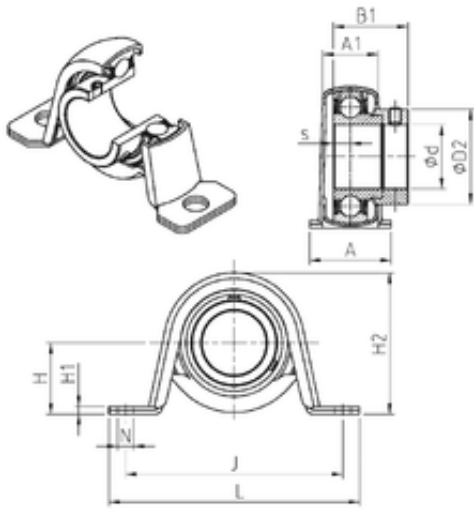




# NTN BEARING CORP.



## SNR ESPP204 bearing units

Bearing No. ESPP204

Bore Diameter	20 mm
d	20 mm
s	7,5 mm
A	31,7 mm
A1	21,6 mm
B1	30,9 mm
H	25,4 mm
H1	2,4 mm
H2	49,9 mm
J	76 mm
L	98,4 mm
N	9 mm
Weight	0,3 Kg
Basic dynamic load rating (C)	12,8 kN

ESPP204 Bearing 2D drawings and 3D CAD models