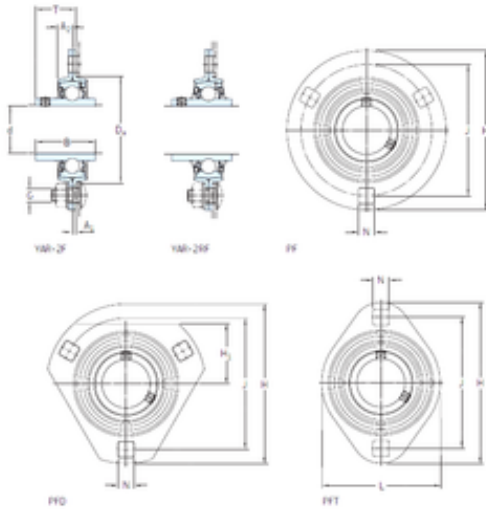




# NTN BEARING CORP.



## SKF PFD 1.1/4 TR bearing units

Bearing No. PFD 1.1/4 TR

Bore Diameter	31.75 mm
Width	42,9 mm
d	31.75 mm
Da	81 mm
A1	2,5 mm
B	42,9 mm
G	10 mm
H	122 mm
H1	45 mm
J	100 mm
L	–
N	11 mm
T	27,9 mm
A2	10 mm
Weight	0,69 Kg
Basic dynamic load rating (C)	25,5 kN
Basic static load rating (C0)	15,3 kN
Housing material	Pressed steel
A <sub>1</sub>	2.5 mm
A <sub>2</sub>	10 mm
B <sub>4</sub>	6 mm
D <sub>a</sub> min.	77 mm
H <sub>1</sub>	45 mm
s <sub>1</sub>	25.4 mm
Basic dynamic load rating C	25.5 kN
Basic static load rating C <sub>0</sub>	15.3 kN

PFD 1.1/4 TR Bearing 2D drawings and 3D CAD models



## NTN BEARING CORP.

Fatigue load limit $P_u$	0.655 kN
Permissible radial housing load max.	6.5 kN
Mass unit	0.75 kg
Thread grub screw $G_2$	5/16-24 UNF
Hexagonal key size for grub screw N	3.969 mm
Recommended tightening torque for grub screw	6.5 N · m
Recommended diameter for attachment bolts, mm G	10 mm
Recommended diameter for attachment bolts, inch G	0.375 in
Bearing	YAR 207-104-2RF
Housing	PFD 72