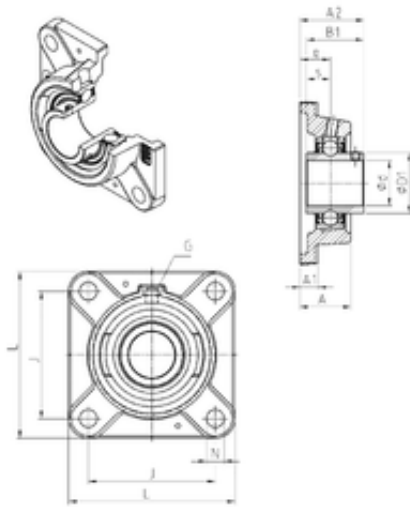




NTN BEARING CORP.



SNR UCFE211 bearing units

Bearing No. UCFE211

| | |
|-------------------------------|----------|
| Bore Diameter | 55 mm |
| d | 55 mm |
| e | 31 mm |
| s | 22,2 mm |
| A | 48,5 mm |
| A1 | 15 mm |
| B1 | 55,6 mm |
| D1 | 69 mm |
| J | 130 mm |
| L | 162 mm |
| N | 18 mm |
| Thread (G) | R1/8" |
| A2 | 64,4 mm |
| Weight | 3,7 Kg |
| Basic dynamic load rating (C) | 43,55 kN |

UCFE211 Bearing 2D drawings and 3D CAD models