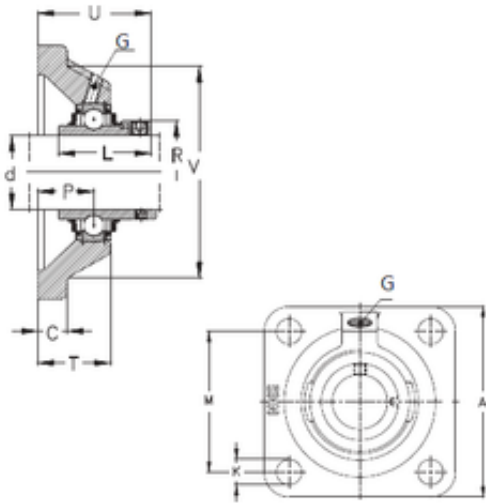




NTN BEARING CORP.

NKE RCJ17 bearing units

Bearing No. RCJ17



RCJ17 Bearing 2D drawings and 3D CAD models

Bore Diameter	17 mm
d	17 mm
P	17 mm
V	58 mm
U	40,4 mm
K	11,5 mm
A	76 mm
C	9,5 mm
L	37,3 mm
M	54 mm
R	28 mm
T	27 mm
Thread (G)	M6