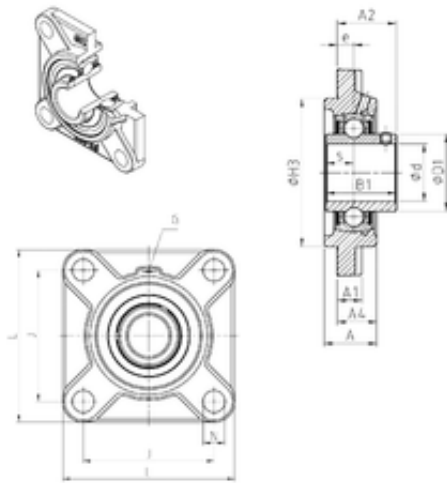




NTN BEARING CORP.



SNR UCFS315 bearing units

Bearing No. UCFS315

Bore Diameter	75 mm
d	75 mm
H3	200 mm
A4	48 mm
e	21 mm
s	32 mm
A	66 mm
A1	25 mm
B1	82 mm
D1	100,5 mm
J	184 mm
L	236 mm
N	25 mm
Thread (G)	M10x1
A2	71 mm
Weight	12,4 Kg
Basic dynamic load rating (C)	113,36 kN

UCFS315 Bearing 2D drawings and 3D CAD models