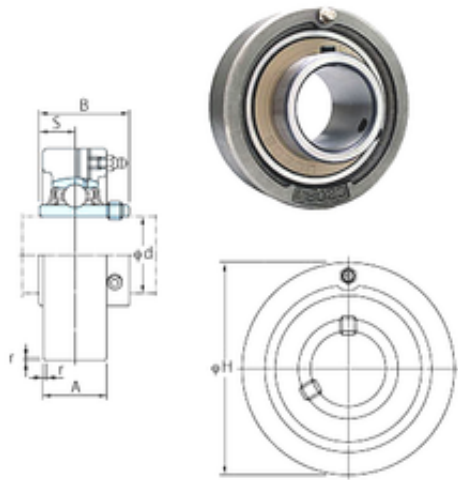




NTN BEARING CORP.

FYH UCC305 bearing units

Bearing No. UCC305



UCC305 Bearing 2D drawings and 3D CAD models

Bore Diameter	25 mm
Width	38 mm
d	25 mm
r	2 mm
A	26 mm
B	38 mm
H	90 mm
S	15 mm
Weight	1,5 Kg
Basic dynamic load rating (C)	21,2 kN
Basic static load rating (C0)	10,9 kN