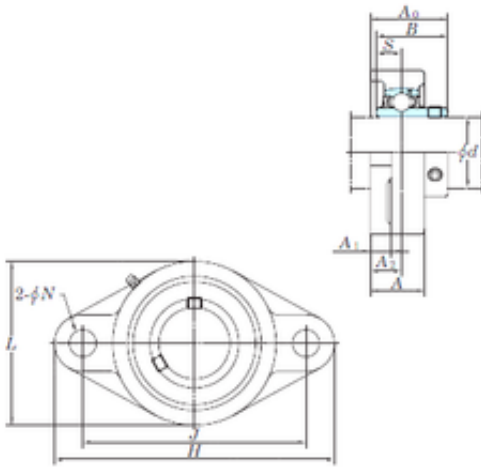




NTN BEARING CORP.

KOYO UCFL211 bearing units

Bearing No. UCFL211



UCFL211 Bearing 2D drawings and 3D CAD models

Bore Diameter	55 mm
d	55 mm
A0	58,4 mm
A	43 mm
A1	18 mm
B	55,6 mm
H	224 mm
J	184 mm
L	130 mm
N	19 mm
S	22,2 mm
A2	25 mm
Weight	3,3 Kg
Basic static load rating (C0)	43,4 kN
Bearing No.	UCFL211
Bolt size	M16
Cr	43.4
C0r	29.4
f0	14.4
(Refer.)Unit mass(kg)	3.3
Nipple size	R1/8