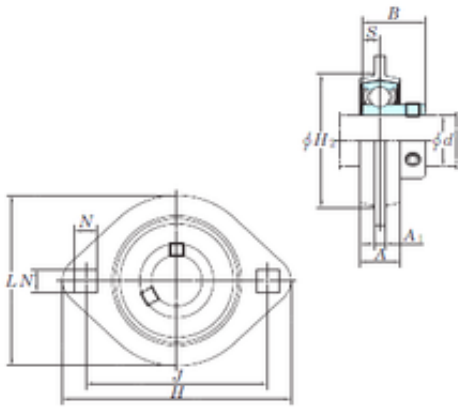




# NTN BEARING CORP.

## KOYO SBPFL206 bearing units



Bearing No. SBPFL206

SBPFL206 Bearing 2D drawings and 3D CAD models

Bore Diameter	25,4 mm
Width	30 mm
d	25,4 mm
A	19 mm
A1	5,2 mm
B	30 mm
H	113 mm
H2	71 mm
J	90,5 mm
L	84 mm
N	11 mm
S	8 mm
Bolt (G)	M10
Weight	0,38 Kg
Basic dynamic load rating (C)	19,5 kN
Basic static load rating (C0)	11,3 kN
Bearing No.	SBPFL206
Bolt size	M10
Cr	19.5
C0r	11.3
f0	13.9
H1	-
(Refer.)Unit mass(kg)	0.38