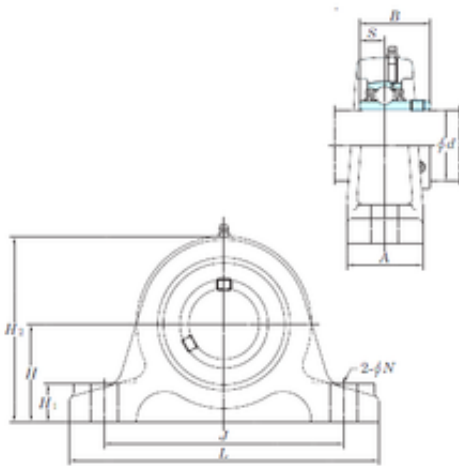




# NTN BEARING CORP.

## KOYO UCIP316 bearing units

Bearing No. UCIP316



UCIP316 Bearing 2D drawings and 3D CAD models

Bore Diameter	80 mm
Width	86 mm
d	80 mm
A	85 mm
B	86 mm
H	120 mm
H1	40 mm
H2	235 mm
J	290 mm
L	350 mm
N	25 mm
S	34 mm
Bolt (G)	M22
Weight	20,3 Kg
Basic dynamic load rating (C)	123 kN
Basic static load rating (C0)	86,7 kN
Bearing No.	UCIP316
Bolt size	M22
Cr	123
C0r	86.7
f0	13.3
(Refer.) Unit mass(kg)	20.3
Nipple size	R1/8