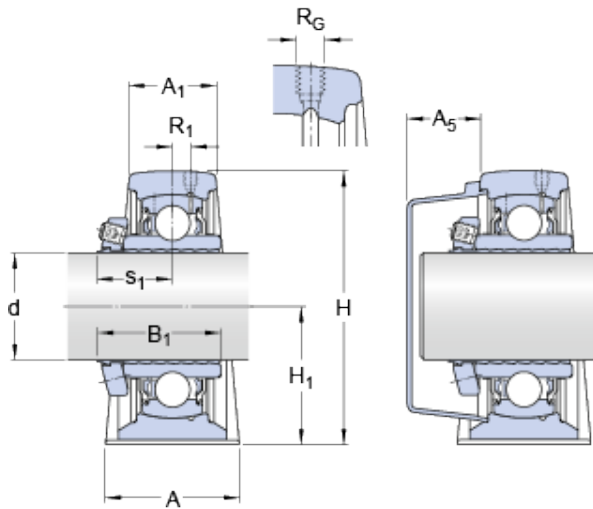




NTN BEARING CORP.

SKF SY 55 LF bearing units

Bearing No. SY 55 LF



| | |
|----------------|----------------|
| Size | 55x56.67x60 mm |
| Bore Diameter | 55 mm |
| Outer Diameter | 56,67 mm |
| Width | 60 mm |
| d | 55 mm |
| d | 56.67 mm |
| A | 60 mm |
| A ₁ | 40 mm |
| A ₅ | 34 mm |
| B ₁ | 49 mm |
| H | 126 mm |
| H ₁ | 63.5 mm |
| H ₂ | 24 mm |
| J | 171.5 mm |
| J - max. | 181 mm |
| J - min. | 162 mm |
| L | 219 mm |
| H | 27.5 mm |
| N ₁ | 18 mm |
| s ₁ | 29 mm |
| J ₆ | 201 mm |
| J ₇ | 21 mm |
| N ₄ | 4 mm |
| D _N | 6.5 mm |
| SW | 7 mm |

SY 55 LF Bearing 2D drawings and 3D CAD models



NTN BEARING CORP.

| | |
|--|---------------|
| N | |
| G_N - 1/4-28 SAE-LT | 1/428 SAELT |
| R_G - 1/4-28 UNF | 1/428 UNF |
| R_1 | 4.5 mm |
| R | 45 ° |
| Basic dynamic load rating - C | 43.6 kN |
| Basic static load rating - C_0 | 29 kN |
| Fatigue load limit - P_u | 1.2 kN |
| Limiting speed | 3600 r/min |
| Weight | 3.35 kg |
| Hexagonal key size for grub screw - H | 3 mm |
| Recommended tightening torque for grub screw | 7.4 N · m |
| Category | Bearings |
| Inventory | 0.0 |
| Manufacturer Name | SKF |
| Minimum Buy Quantity | N/A |
| UNSPSC | 31171511 |
| Weight / Kilogram | 0 |
| EAN | 7316574719020 |
| Product Group | M06110 |
| Housing material | Cast iron |
| A_1 | 40 mm |
| A_5 | 34 mm |
| B_1 | 49 mm |
| H_1 | 63.5 mm |
| H_2 | 24 mm |
| J max. | 181 mm |
| J min. | 162 mm |
| N | 27.5 mm |
| N_1 | 18 mm |



NTN BEARING CORP.

| | |
|---|---------------|
| s_1 | 29 mm |
| R_G | 1/4-28 UNF |
| R_1 | 4.5 mm |
| R | 45 ° |
| D_N | 6.5 mm |
| SW_N | 7 mm |
| G_N | 1/4-28 SAE-LT |
| J_6 | 201 mm |
| J_7 | 21 mm |
| N_4 | 4 mm |
| Basic dynamic load rating C | 43.6 kN |
| Basic static load rating C_0 | 29 kN |
| Fatigue load limit P_u | 1.25 kN |
| Mass bearing unit | 3.35 kg |
| Thread grub screw G_2 | M6 |
| Hexagonal key size for grub screw N | 3 mm |
| Recommended diameter for attachment bolts, mm G | 16 mm |
| Recommended diameter for attachment bolts, inch G | 0.625 in |