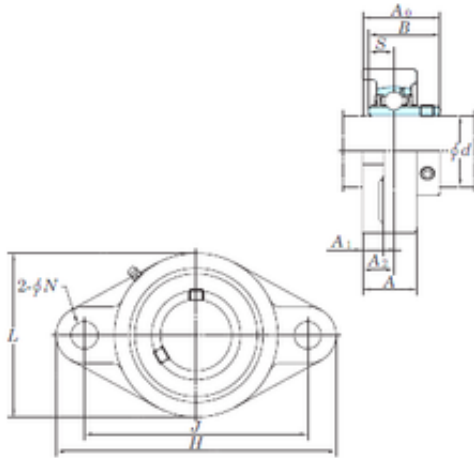




NTN BEARING CORP.



KOYO UCFL211-34E bearing units

Bearing No. UCFL211-34E

| | |
|-------------------------------|-----------|
| Bore Diameter | 53,975 mm |
| d | 53,975 mm |
| A0 | 58,4 mm |
| A | 43 mm |
| A1 | 18 mm |
| B | 55,6 mm |
| H | 224 mm |
| J | 184 mm |
| L | 130 mm |
| N | 16,5 mm |
| S | 22,2 mm |
| A2 | 25 mm |
| Weight | 3,3 Kg |
| Basic dynamic load rating (C) | 43,4 kN |
| Basic static load rating (C0) | 29,4 kN |

UCFL211-34E Bearing 2D drawings and 3D CAD models