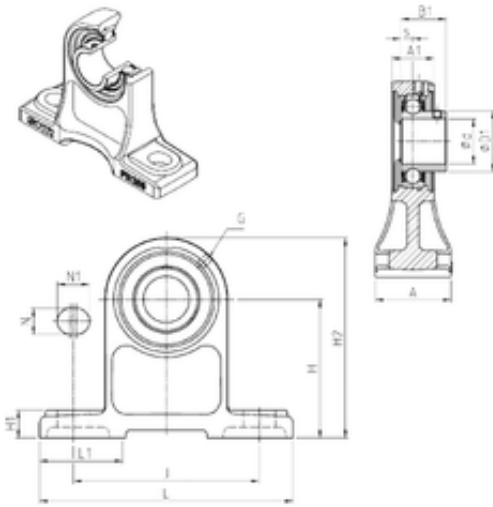




NTN BEARING CORP.

SNR USPH204 bearing units

Bearing No. USPH204



USPH204 Bearing 2D drawings and 3D CAD models

Bore Diameter	20 mm
d	20 mm
s	7 mm
A	40 mm
A1	22 mm
B1	25 mm
D1	29 mm
H	70 mm
H1	15 mm
H2	101 mm
J	95 mm
L	127 mm
L1	48 mm
N	13 mm
N1	19 mm
Thread (G)	M6x1
Weight	0,8 Kg
Basic dynamic load rating (C)	12,8 kN