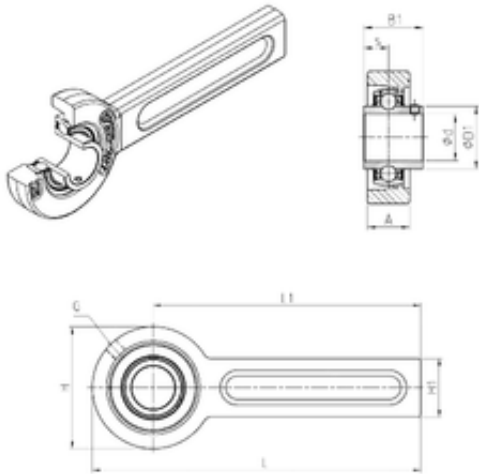




# NTN BEARING CORP.

## SNR UCSP206 bearing units



Bearing No. UCSP206

Bore Diameter	30 mm
d	30 mm
s	15,9 mm
A	21 mm
B1	38,1 mm
D1	40,3 mm
H	98 mm
H1	41 mm
L	274 mm
L1	225 mm
Thread (G)	R1/8"
Weight	1,9 Kg
Basic dynamic load rating (C)	19,5 kN
B	38.1 mm
A5	22.2 mm
G	R1/8"
H2	41 mm
s1	19.05 mm
S	15.9 mm
SW	3 mm
C	19.5 kN
C0	11.2 kN
T min.	-20 ° C
T max.	100 ° C
Recommended tightening torque for set screw	5.5 Nm

UCSP206 Bearing 2D drawings and 3D CAD models



## NTN BEARING CORP.

Designation of housing	SP206-207/62-
Designation of bearing	UC206G2