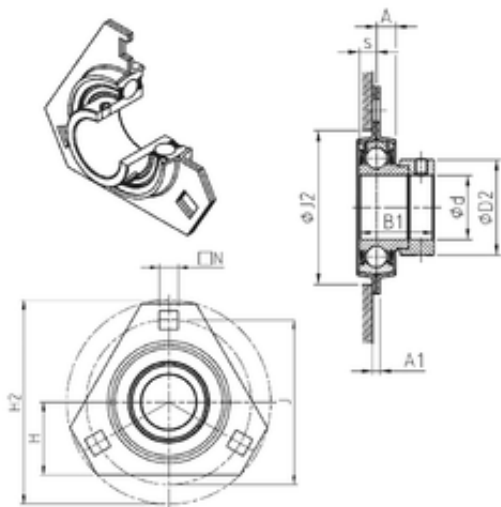




NTN BEARING CORP.

SNR ESPFT206 bearing units

Bearing No. ESPFT206



Bore Diameter	30 mm
d	30 mm
s	9 mm
A	10,5 mm
A1	5 mm
B1	35,7 mm
D2	44,5 mm
H	40,2 mm
H2	112,7 mm
J	90,5 mm
N	10,5 mm
J2	71 mm
Weight	0,6 Kg
Basic dynamic load rating (C)	19,5 kN

ESPFT206 Bearing 2D drawings and 3D CAD models