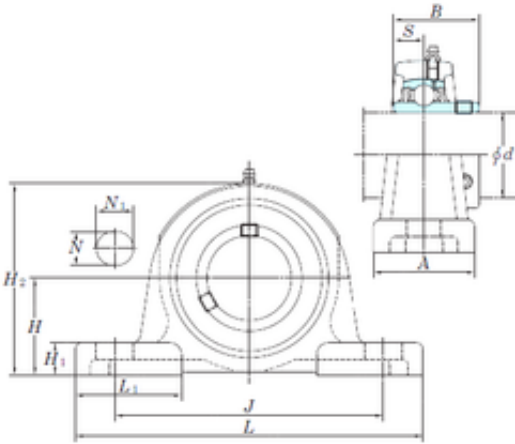




# NTN BEARING CORP.

## KOYO UCPX20 bearing units

Bearing No. UCPX20



UCPX20 Bearing 2D drawings and 3D CAD models

Bore Diameter	100 mm
Width	117,5 mm
d	100 mm
A	121 mm
B	117,5 mm
H	127 mm
H1	45 mm
H2	245 mm
J	337 mm
L	432 mm
L1	126 mm
N	33 mm
N1	65 mm
S	49,2 mm
Bolt (G)	M27
Weight	30,4 Kg
Basic dynamic load rating (C)	133 kN
Basic static load rating (C0)	105 kN
Bearing No.	UCPX20
Bolt size	M27
Cr	133
C0r	105
f0	14.4
(Refer.)Unit mass(kg)	30.4
Nipple size	R1/8