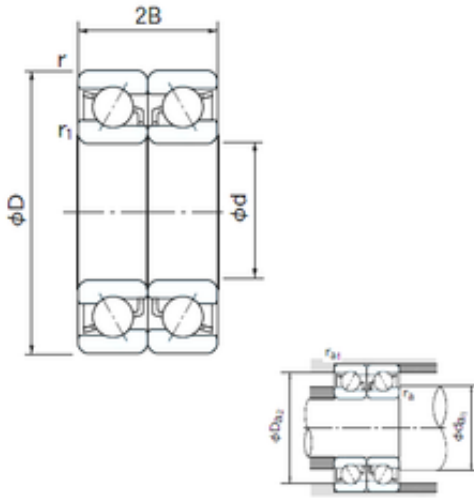




NTN BEARING CORP.

95 mm x 200 mm x 45 mm NACHI 7319CDB angular contact ball bearings

Bearing No. 7319CDB



7319CDB Bearing 2D drawings and 3D CAD models

Size	95x200x45 mm
Bore Diameter	95 mm
Outer Diameter	200 mm
Width	45 mm
d	95 mm
D	200 mm
B	45 mm
C	45 mm
Angle (°)	15 °
a -	5.5 mm
r min.	3 mm
r1 min.	1.1 mm
2B	90 mm
da min.	109 mm
Da max.	193 mm
ra max.	1 mm
Weight	6.68 Kg
Basic dynamic load rating (C)	300 kN
Basic static load rating (C0)	320 kN
(Grease) Lubrication Speed	4300 r/min
Bore Type	Cylindrical Bore
Enclosure	Open
Configuration	Duplex
Bore Size	95 mm
Outside Diameter	200 mm



NTN BEARING CORP.

Width	45 mm
Fillet Radius/Chamfer	3 mm
r1	1.1 mm
Dynamic Load Rating	300,000 N
Static Load Rating	320,000 N
Limiting Speed - Grease	4,300 rpm
Limiting Speed - Oil	6,000 rpm
da1 (min)	109 mm
da2 (min)	109 mm
Da1 (max)	186 mm
Da2 (max)	193 mm
ra (max)	2.5 mm
ra1 (max)	1 mm