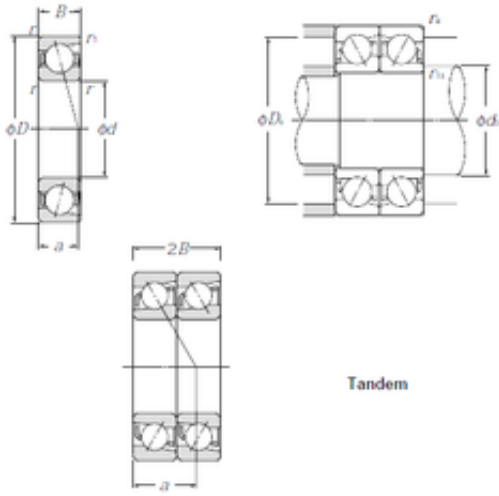




# NTN BEARING CORP.



130 mm x 200 mm x 33 mm CYSD 7026DT  
angular contact ball bearings

Bearing No. 7026DT

Size	130x200x33 mm
Bore Diameter	130 mm
Outer Diameter	200 mm
Width	33 mm
d	130 mm
D	200 mm
B	33 mm
C	33 mm
Angle ( ° )	25 °
r min.	2 mm
2B	66 mm
Weight	7,46 Kg
Basic dynamic load rating (C)	191 kN
Basic static load rating (C0)	251 kN
(Grease) Lubrication Speed	2600 r/min

7026DT Bearing 2D drawings and 3D CAD models