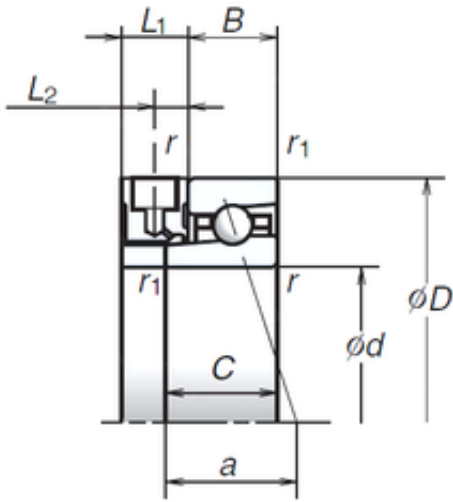




NTN BEARING CORP.



50 mm x 80 mm x 16 mm NSK 50BNR10XE angular contact ball bearings

Bearing No. 50BNR10XE

Size	50x80x16 mm
Bore Diameter	50 mm
Outer Diameter	80 mm
Width	16 mm
d	50 mm
D	80 mm
B	16 mm
C	21 mm
L2	7,5 mm
Angle (°)	18 °
a	23,4 mm
r min.	1 mm
r1 min.	0,6 mm
L1	15 mm
Weight	0,296 Kg
Basic dynamic load rating (C)	12,2 kN
Basic static load rating (C0)	9,9 kN
(Grease) Lubrication Speed	50 800 r/min

50BNR10XE Bearing 2D drawings and 3D CAD models